

BESAM SL500 CLEAN ROOM
OVERHEAD CONCEALED FIXED SIDELITE
NARROW STILE SINGLE SLIDE DOOR SYSTEM

*PACKAGE MEETS ISO 3 (CLASS 1) REQUIREMENTS

NOTE: THE STANDARD PACKAGE CONSISTS OF:
THE AUTOMATIC OPERATOR & NON-SHEDDING WEATHERSTRIP, FRAMES,
DOORS & SIDELITES WITH VERTICAL NON-SHEDDING WEATHERSTRIP,
EMERGENCY BREAKAWAY, OPTIONAL POSITION SWITCH (DIGITAL (3 OR
5) OR KEY (5)), (OFF-EXIT ONLY-AUTO-REDUCED OPENING-HOLD OPEN
OR OFF, AUTO, HOLD OPEN), MOTION/PRESENCE SENSORS.

OPTIONAL: ELBOW ACTIVATION SWITCH, BESAM ELECTRICAL CARRIAGE
LOCK.

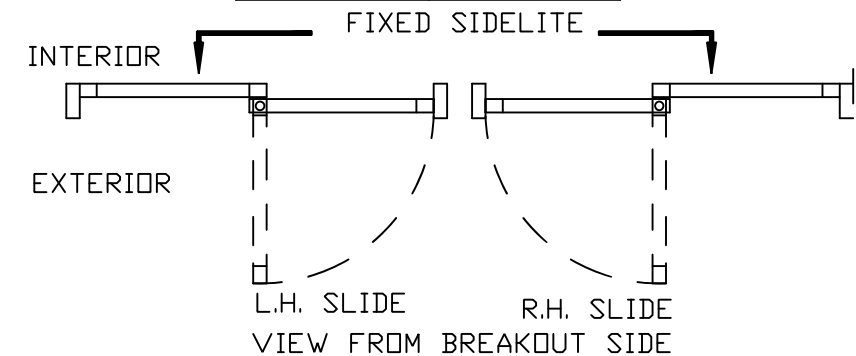
STANDARD FINISH: CLEAR- AA-M12C22A41, CLASS 1, .018 MM.
DARK BRONZE- AA-M12C22A44, CLASS 1, .018 MM.
SPECIAL FINISHES ARE AVAILABLE.

NOTE DRAWING IS DIMENSIONED IN BOTH ENGLISH AND METRIC
REF. AS FOLLOWS 1" (25.4) ALL METRIC SIZES ARE MILLIMETERS.
* FOR MAXIMUM CURRENT DRAW PER OPERATOR, SEE PRODUCT
SPECIFICATION, INSTALLATION INSTRUCTIONS, OR THE UL
LABEL ON THE EQUIPMENT.
REFER TO RELEVANT (LOCAL, STATE, NATIONAL OR AHJ) BUILDING
CODE FOR MIN DOOR HEIGHT & MIN/MAX WIDTH ALLOWABLE
FOR EGRESS REQUIREMENT IN CONJUNCTION WITH TABLE BELOW.

SL500 DHC	DOOR OPENING A	OVERALL FRAME WIDTH B	MASONRY OPENING WIDTH C	ACTIVE & SIDELITE LEAF WIDTH D
7'	35 1/4" (895.4)	84" (2133.6)	84 1/2" (2146.3)	41 1/2" (1054.1)
8'	41 1/4" (1047.8)	96" (2438.4)	96 1/2" (2451.1)	47 1/2" (1206.5)
8'-6"	44 1/4" (1124)	102" (2590.8)	102 1/2" (2603.5)	50 1/2" (1282.7)
9'	47 1/4" (1200.2)	108" (2743.2)	108 1/2" (2755.9)	53 1/2" (1358.9)
KEY	(B/2)-6 3/4" (B/2)-(171.5)	(C-1/2") (C-12.7)	(B+1/2") (B+12.7)	(B/2)-1/2" (B/2)-(12.7)

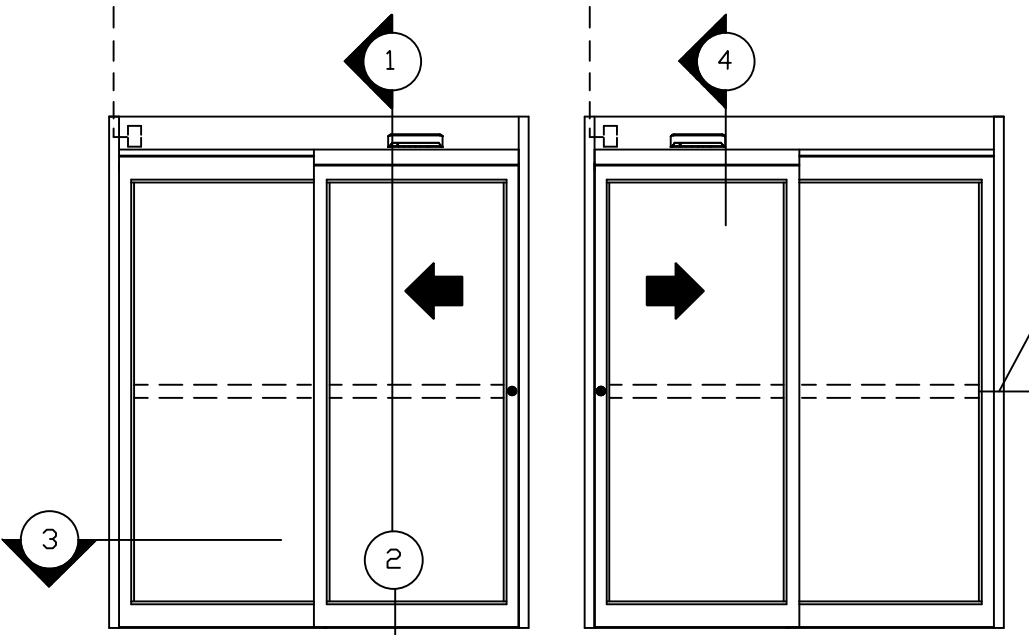
STANDARD GLASS SIZES ARE AS FOLLOWS;

SL500 DHC	1/4"(6.4)	
7'	W	36 5/8"(930.3)
	H	73 7/8"(1876.4)
8'	W	42 5/8"(1082.7)
	H	73 7/8"(1876.4)
8'-6"	W	45 5/8"(1158.9)
	H	73 7/8"(1876.4)
9'	W	48 5/8"(1235.1)
	H	73 7/8"(1876.4)
KEY	WIDTH	(B/2)-5 3/8" (B/2)-(136.5)
	HEIGHT	(DFH)-15 7/8" (DFH)-(403.2)



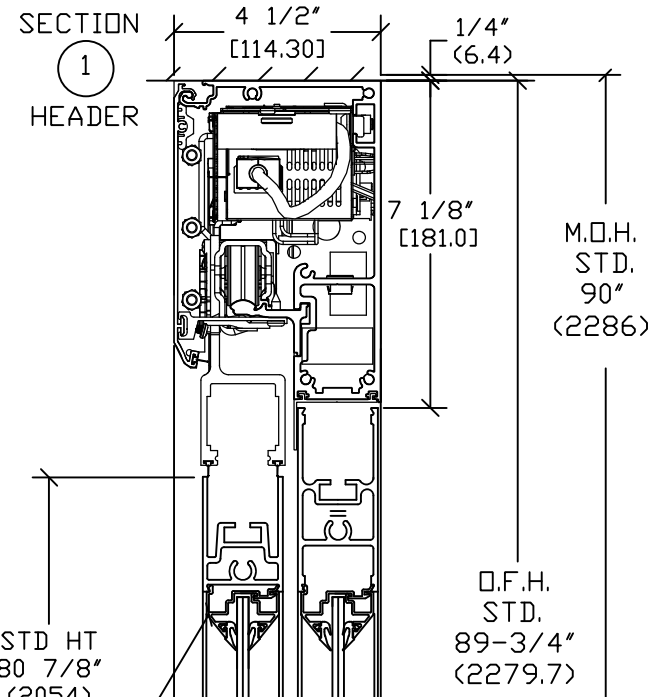
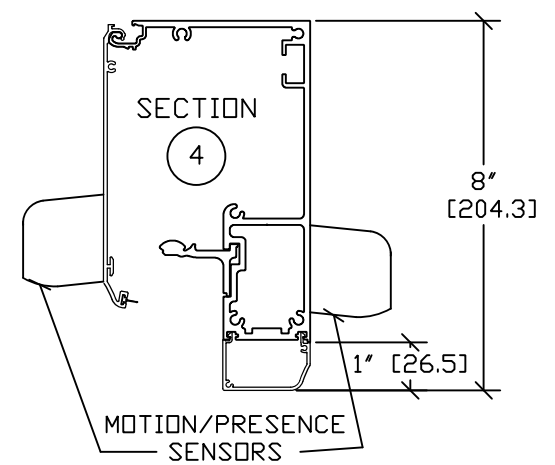
DWG NO. 1011264	DRN BY CLW	DATE 8/26/13	CHK BY SS	DATE 8/26/13	REV. 3.0	DATE 5/28/14
-----------------	------------	--------------	-----------	--------------	----------	--------------

* ELECTRICAL SERVICE
120 VAC. 50/60 HZ.
15/20A. BY ELEC. CONTR.
TO JUNCTION BOX.

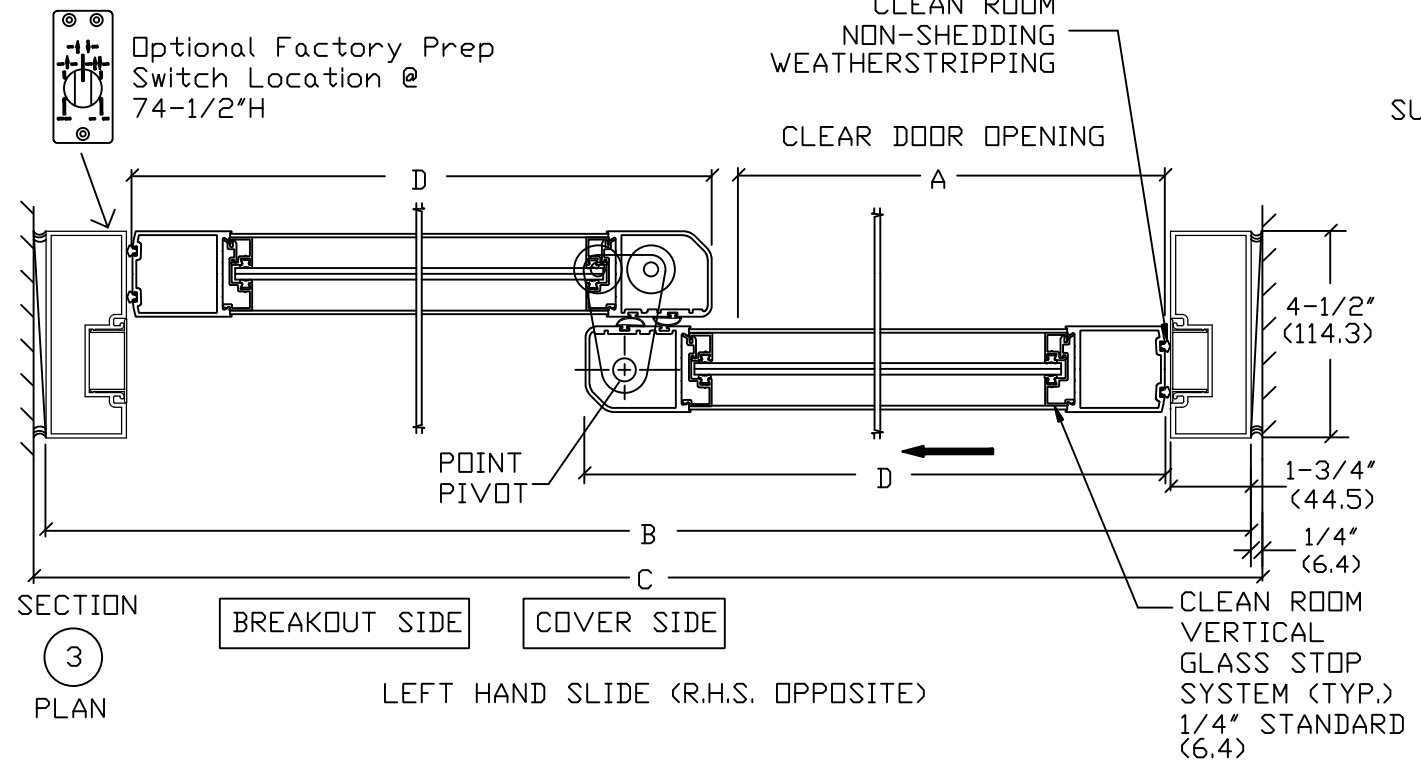
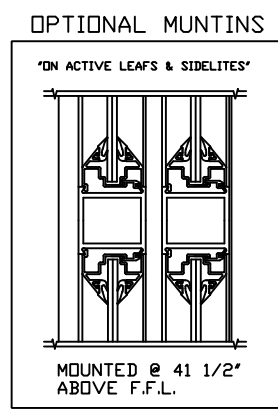
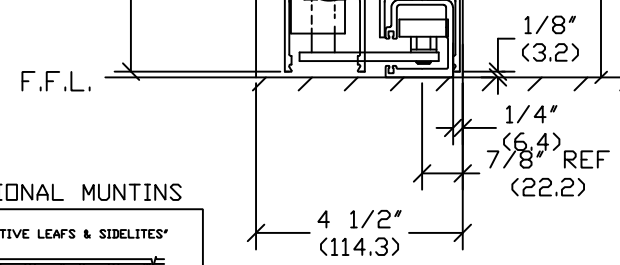
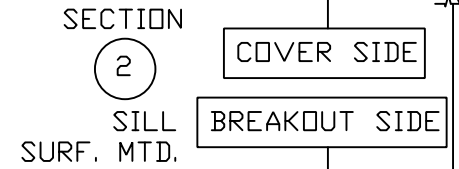


LEFT HAND SLIDE
BREAKOUT SIDE

RIGHT HAND SLIDE
EXTERIOR ELEVATION



CLEAN ROOM
HORIZONTAL
BEVELED GLASS STOP
SYSTEM (TYP.)
1/4" STANDARD
(6.4)



LEFT HAND SLIDE (R.H.S. OPPOSITE)